



FONDEDIL

.....

**Raccordi acqua
ghisa sferoidale
ti 2b fl**

.....

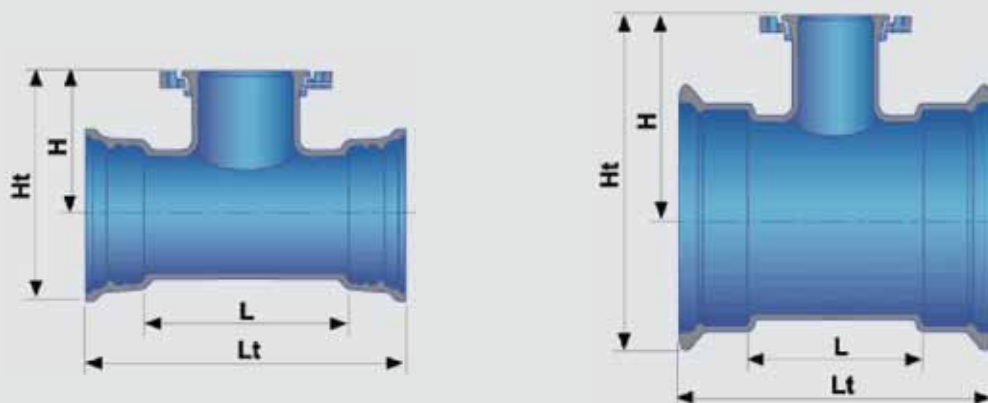
SETTORE: ACQUEDOTTO - ANTINCENDIO - IRRIGAZIONE

NORMATIVA: EN 545; ISO 2531

SISTEMI IN GHISA SFEROIDALE

**Ti a due bicchieri giunto elastico - meccanico
con diramazione a flangia PN 10**

DN 60 ÷ 600



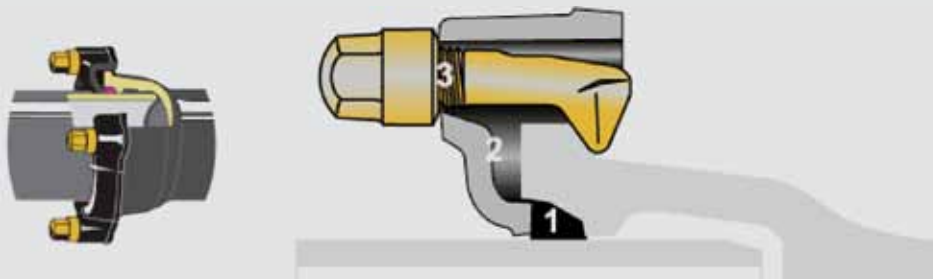
Corpo DN mm	Diramazione		Flangia PN	Flangia diramazione	L mm	Lt mm	H mm	Ht mm	Massa kg
	dn mm								
60	60		10-16	mobile	154	318	161	232	9,4
80	60		10-16	mobile	145	315	169	252	12,3
80	80		10-16-25-40	mobile	183	353	165	248	13,9
100	60		10-16	mobile	150	326	181	265	14,1
100	80		10-16-25-40	mobile	185	361	177	271	15,8
100	100		10-16	mobile	210	386	180	274	17,2
125	60		10-16	mobile	150	332	184	291	16,1
125	80		10-16-25-40	mobile	165	347	195	302	17,7
125	100		10-16	mobile	190	372	200	307	19,5
125	125		10-16	mobile	267	449	200	307	23,0
150	60		10-16	mobile	154	342	196	317	19,8
150	80		10-16-25-40	mobile	165	353	210	331	21,5
150	100		10-16	mobile	190	278	215	336	23,0
150	125		10-16	mobile	220	408	210	331	25,5
150	150		10-16	mobile	305	493	220	341	30,5
200	60		10-16	mobile	159	359	229	377	26,5
200	80		10-16-25-40	mobile	170	370	240	387	28,0
200	100		10-16	mobile	195	395	245	392	30,0
200	125		10-16	mobile	220	420	240	387	33,0
200	150		10-16	mobile	250	150	245	392	36,0
200	200		10	mobile	360	560	260	407	45,5
250	60		10-16	mobile	164	374	272	448	39,0
250	80		10-16-25-40	mobile	234	444	250	427	45,0
250	100		10-16	mobile	204	404	270	446	27,7
250	150		10-16	mobile	251	461	280	457	51,0
250	200		10	mobile	344	554	290	467	62,0
250	250		10	mobile	404	614	300	477	72,0

Corpo DN mm	Diramazione dn mm	Flangia PN	Flangia diramazione	L mm	Lt mm	H mm	Ht mm	Massa kg
300	60	10-16	mobile	237	457	297	502	57,0
300	80	10-16-25-40	mobile	237	457	298	503	58,0
300	100	10-16	mobile	210	420	300	504	34,0
300	150	10-16	mobile	347	567	310	505	72,0
300	200	10	mobile	347	567	320	525	77,0
300	250	10	mobile	467	687	305	510	92,0
300	300	10	mobile	467	687	340	545	101,0
350	60	10-16	mobile	149	369	322	555	61,0
350	65	10-16	mobile	149	-	322	-	62,0
350	80	10-16-25-40	mobile	195	415	310	543	70,0
350	100	10-16	mobile	195	415	330	563	71,0
350	150	10-16	mobile	315	535	340	573	85,0
350	200	10	mobile	315	535	350	583	90,0
350	250	10	mobile	369	589	360	293	102,0
400	80	10-16-25-40	mobile	195	415	340	600	83,0
400	100	10-16	mobile	195	415	360	619	84,0
400	150	10-16	mobile	315	535	370	629	100,0
400	200	10	mobile	315	535	380	639	105,0
400	250	10	mobile	429	649	390	649	125,0
400	300	10	mobile	429	649	400	659	133,0
400	400	10	mobile	545	765	420	-	162,0
450	100	10-16	mobile	315	555	390	678	119,0
450	150	10-16	mobile	315	555	400	688	122,0
450	200	10	mobile	315	555	410	698	126,0
450	250	10	mobile	602	842	420	708	175,0
450	300	10	mobile	602	842	430	718	182,0
450	400	10	mobile	602	842	450	738	199,0
450	450	10	mobile	602	842	460	-	208,0
500	100	10-16	mobile	210	450	420	735	126,0
500	150	10-16	mobile	325	565	430	745	150,0
500	200	10	mobile	325	565	440	755	154,0
500	250	10	mobile	443	683	450	765	179,0
500	300	10	mobile	443	683	460	775	187,0
500	400	10	mobile	555	795	480	795	221,0
500	500	10	mobile	675	915	500	815	264,0
600	100	10-16	mobile	335	605	500	870	189,0
600	200	10	mobile	335	605	500	870	189,0
600	300	10	mobile	447	717	520	890	235,0
600	400	10	mobile	565	835	540	910	278,0
600	600	10	mobile	795	1065	580	950	380

- Dimensioni e foratura flange a norma EN 1092-2; ISO 7005-2.
- Massa: si intende la massa del solo raccordo. Per il peso del giunto consultare la relativa scheda.
- Per diametri superiori consultarci.

Giunto di collegamento:

- Giunto elastico – meccanico (si consulti la relativa scheda tecnica).



- Dimensioni di accoppiamento ed accessori del giunto conformi alla norma UNI 9164.